

KINETIC WATER RAM PARTS LIST

ITEM NO.	CATALOG NO.	DESCRIPTION - MODEL "G"
143015	G-01	Shank
143020	G-02	Locknut
143025	G-03	Cap Screw
143045	G-04	Sealing Washer
142055	G-05	Locknut
142065	* G-06	O-Ring
143075	G-07	Solder Ring
143085	G-08	Pump Bottom Cap
143095	G-09	Pump Shaft
143100	* G-10	Valve Seat Washer
143115	G-11	Spacer
143120	* G-12	1/4" x 20 Hex Nut
143130	* G-13	1/4" Lock Washer
143140	* G-14	Cup Spreader
143150	* G-15	Leather Cup
143160	G-16	Washer
143170	G-17	Pump Shaft Spring
143185	G-18	Air Pump Cylinder & Nut
143195	G-19	Air Chamber Cylinder
143205	G-20	Handle
143210	G-21	Schrader Valve
143225	G-22	Roll Pin
143230	G-23	Set Screw
143240	G-24	Ball Handle
143250	* G-25	"E" Ring
143260	* G-26	Trigger Pin
143275	G-27	Trigger
143285	* G-28	O-Ring
143295	G-29	Guide
143300	G-30	Pressure Gauge
143315	* G-31	O-Ring
143325	G-32	Lifter Rod Connector
143340	* G-34	Spring
143350	G-35	Flat Washer
143360	G-36	Roll Pin
143380	G-38	Bell Shaped Nut
143390	* G-39	Seat Washer
143410	G-41	1/4" x 28 Fin Nut
143420	G-42	Lifter Rod Guide - Discontinued
143550	G-55	Check Valve Assembly
143500	G-55-1	Check Valve Shank
143510	G-55-2	Check Valve 1/2" Tee
143520	G-55-3	Check Valve Adapter
143040	G-55-4	Check Valve Spring
143530	G-55-5	Check Valve Ball
143540	G-55-6	Check Valve Insert
143555	G-57	O-Ring Retainer Washer
143560	G-CVK	Check Valve Assembly Kit (Incl. G-45, G-46, G-55)

ITEM NO.	CATALOG NO.	DESCRIPTION - MODEL "E"
143015	E-1	Shank
143020	E-2	Locknut (2)
143030	E-3	Water Inlet Check Valve Gasket
143040	E-4	Water Inlet Check Valve Spring
143050	E-5	Water Inlet Check Valve Ball
143060	E-6	Water Inlet Check Valve Body
143070	E-7	Locknut
143080	* E-8	O-Ring
143090	E-9	Solder Ring (Obsolete)
143100	* E-10	Valve Seat Washer
143110	E-11	Pump Bottom Cap
143120	* E-12	1/4" x 20 Hex Nut
143130	* E-13	1/4" Lock Washer
143140	* E-14	Cup Spreader
143150	* E-15	Leather Cup
143160	* E-16	Washer
143170	E-17	Pump Shaft Spring
143180	E-18	Pump Shaft & Spacer
143190	E-19	Air Pump Cylinder & Nut
143200	E-20	Air Chamber Cylinder (Obsolete)
143210	E-21	Schrader Valve
143220	E-22	Handle
143230	E-23	Set Screw
143240	E-24	Ball Handle
143250	* E-25	"E" Ring
143260	* E-26	Trigger Pin
143270	E-27	Trigger Pin
143280	E-28	"E" Ring
143300	E-30	Pressure Gauge
143310	E-31	O-Ring
143320	E-32	Guide
143330	E-33	O-Ring
143340	E-34	Spring
143350	E-35	Flat Washer
143360	E-36	Roll Pin
143370	E-37	Lifter Rod (Obsolete)
143380	E-38	Bell Shaped Nut
143390	E-39	Seat Washer
143400	E-40	Flat Washer
143410	E-41	1/4" x 28 Fin Nut

*These parts, plus Neat's foot Oil, are included in KR-RK Ram Repair Kit.

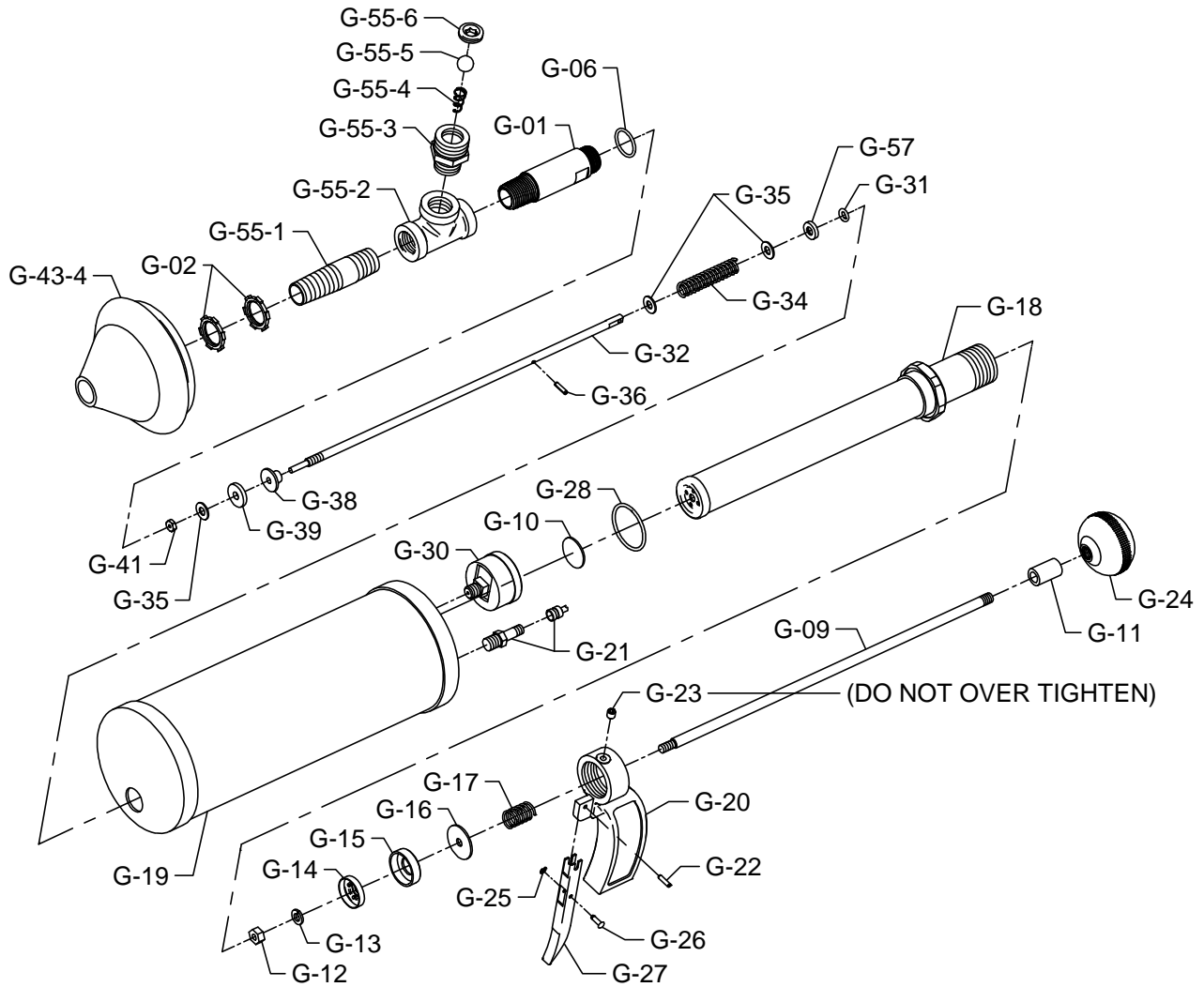
132370	KR-DVD	Instructional DVD (for both "E" and "G" Rams)
--------	--------	---

ACCESSORIES (Use prefix "G" or "E" as indicated depending on model)

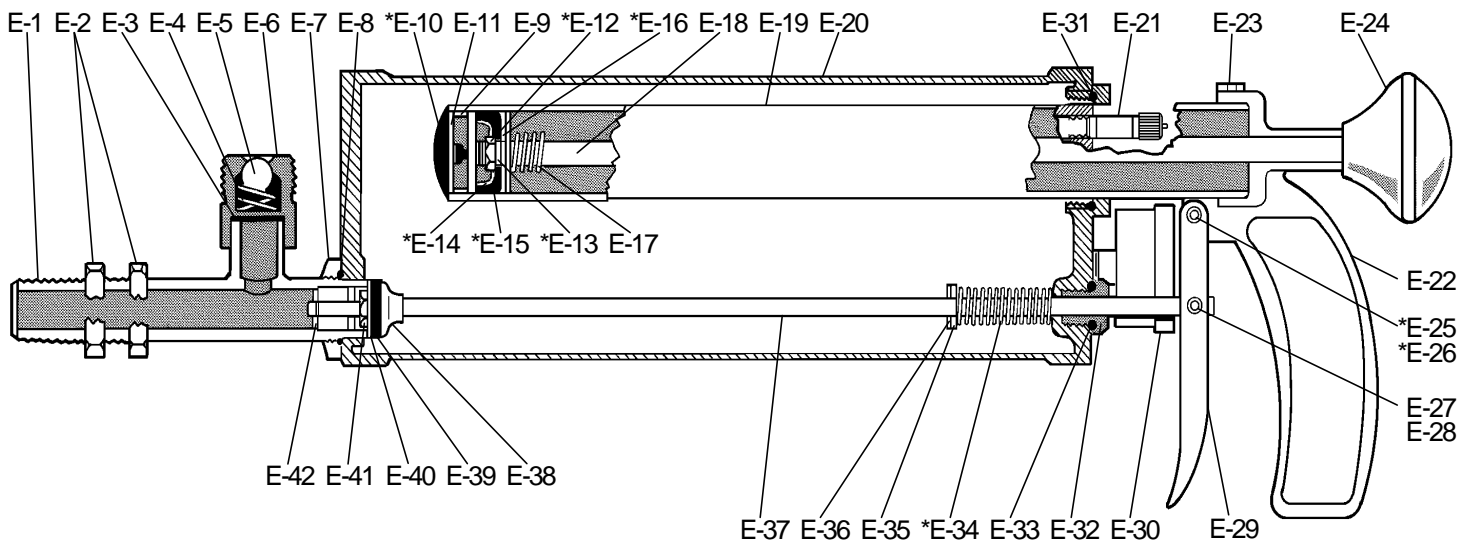
143430	G- or E-43-4	4" Rubber Cone
143440	G- or E-43-6	6" Rubber Cone
143450	G- or E-44	Caulking Hose
143460	G- or E-45	Supply Hose
143470	G- or E-46	Universal Faucet Adapter
143490	G- or E-48	Set of 5 Drain Adapters
143494	G- or E-49/50	Threaded Faucet Adapter
142700	G- or E-52	Extension Hose

143496	KR-RK	Ram Repair Kit
142010	KR-CA	Toilet Attachment
142000	KR-CC	Carrying Case
142020	1-1/2EX	1-1/2" Expansion Plug
142030	2EX	2" Expansion Plug
142040	3EX	3" Expansion Plug
142050	4EX	4" Expansion Plug

KINETIC WATER RAM-MODEL G SCHEMATIC DIAGRAM



KINETIC WATER RAM-MODEL E



IMPORTANT: When ordering, give Serial Number of Machine.